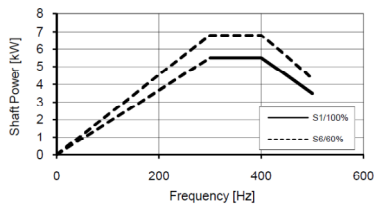
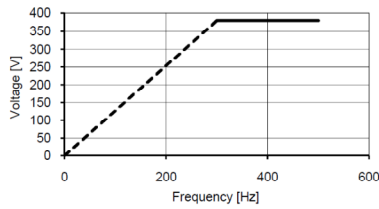


1

2

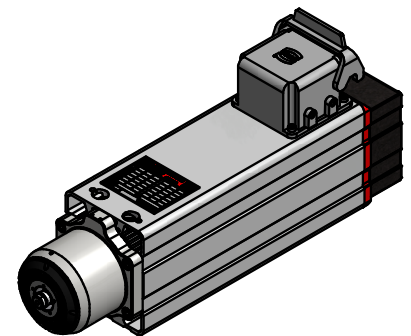
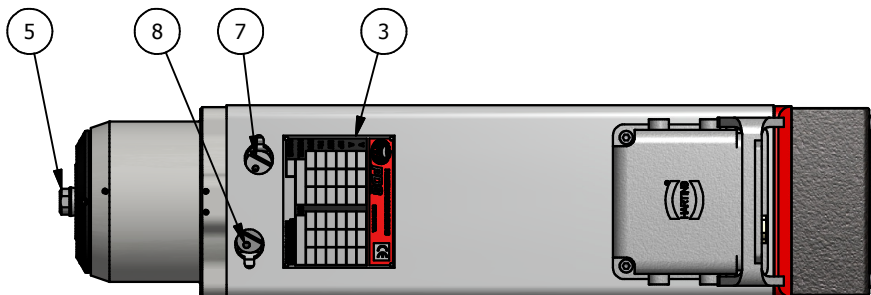
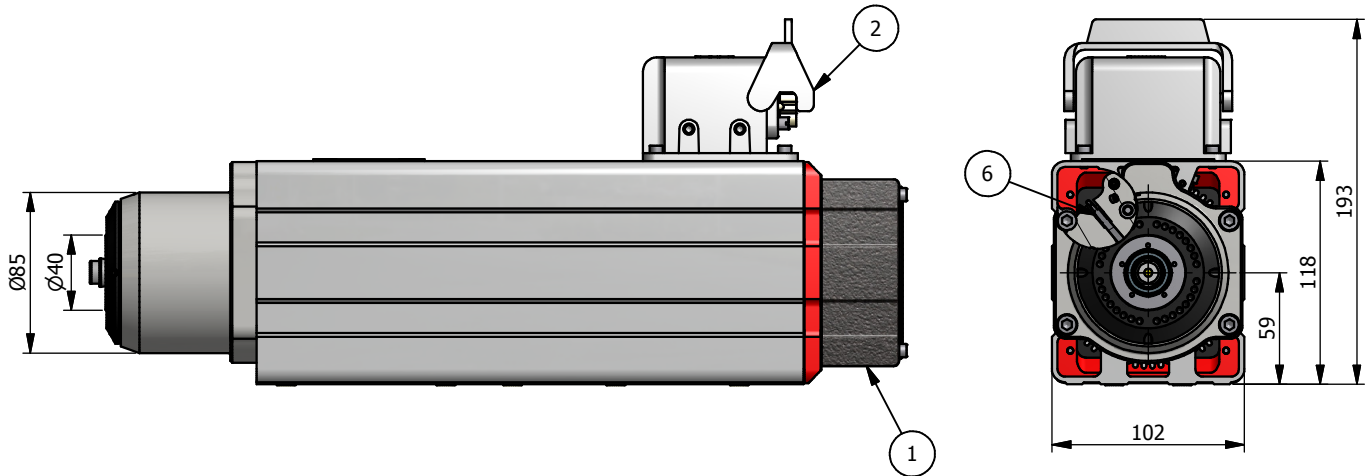
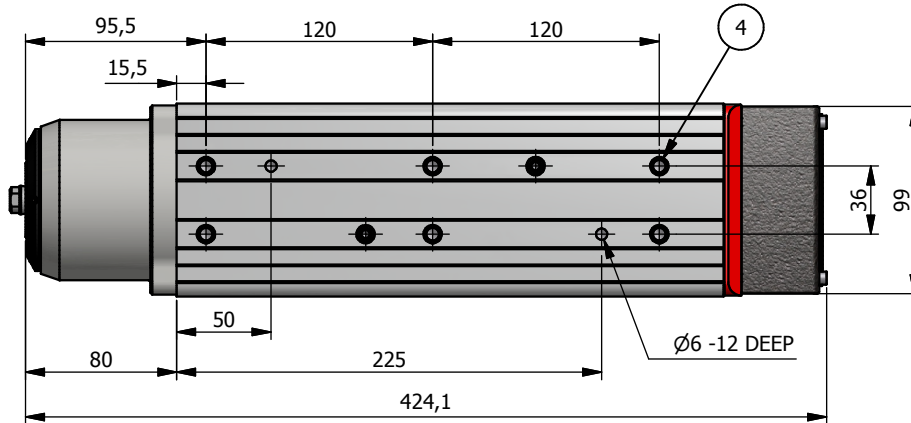
3

4

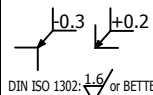


## DLS90 - 5,5kW HSK-F40

Pos.	COMPONENT	DESCRIPTION
1	Cooling Fan	24 VDC, allow 100mm Clearance for air flow
2	Harting Connector	Connections for Power, Signal and Pneumatic
3	Nameplate	Lists Voltage, Frequency, Speed, etc.
4	Mounting Holes	6x M8, Threaded Holes, 12mm deep, 2x Holes Ø6H7
5	Spindle Taper	Spindle shaft with HSK-F40 type clamping system
6	S1-Sensor	Monitoring "Shaft-Stop" (Located in Rear Housing)
7	S3-Sensor	Monitoring "Clamped with tool"
8	S5-Sensor	Monitoring "Tool ejected"



ACCORDING TO DIN ISO 13715:



DIN ISO 1302: 1/6 or BETTER

ALL DIMENSIONS ARE IN MILLIMETERS

TOLERANCES: DIN ISO 2768-1 K  
 0.5 - 6 = ± 0.05  
 6 - 30 = ± 0.1  
 30 - 120 = ± 0.15  
 120 - 400 = ± 0.2  
 <math>\le \pm 0.5^\circ</math>



FIRST ANGLE PROJECTION

ENGLISH LANGUAGE IS MASTER

NAME:  
CHCDATE:  
10.Jun.2015

CHECKED BY:

Tschebrink 68  
 D-33504 Löhne Germany  
 Tel.: 05731/744 889-0  
 info@pds-gmbh.de / www.pds-gmbh.de

The content of this drawing is proprietary data and may be used solely for its intended business purpose. This drawing may not be reproduced, copied, or transferred without the expressed written consent of Precision Drive Systems, LLC.  
 © Precision Drive Systems LLC 2014

DESCRIPTION:

DLS90-5.5-2-24-HSK F40-22-CC-3-D

SCALE:

1 : 4

SIZE:

A4

SHT:

1 / 1

DWG. NO:

880-090-S014

MASS:

15,69 kg

MATERIAL:

REV.

A

1

2

3

4