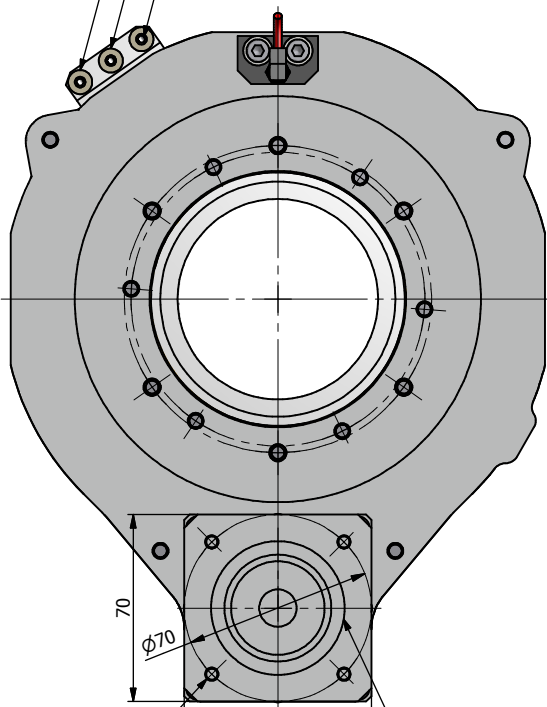


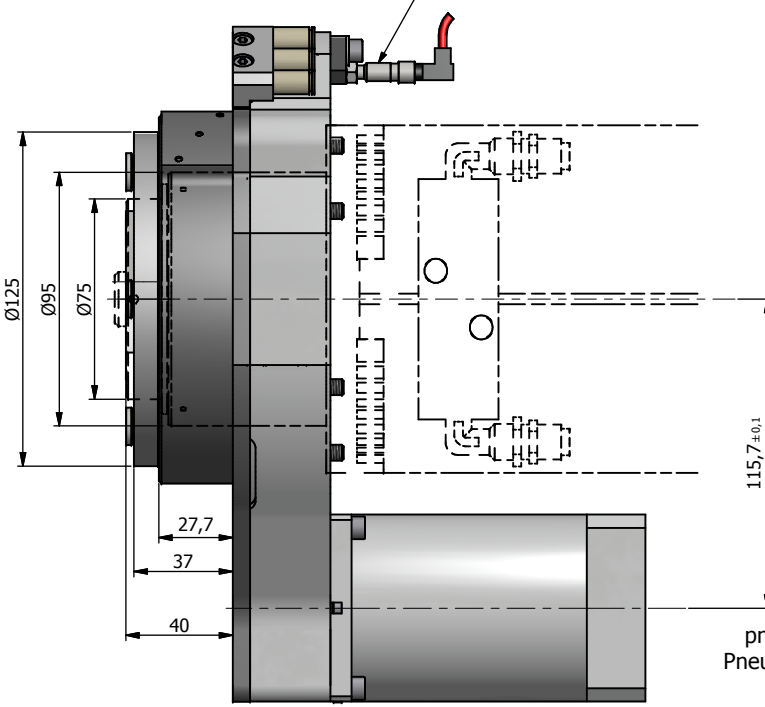
Ø4mm pneumatic supply no. 3 / Pneumatikversorgung 3  
 Ø4mm pneumatic supply no. 2 / Pneumatikversorgung 2  
 Ø4mm pneumatic supply no. 1 / Pneumatikversorgung 1



M5  $\nabla$ 12 (4x)  
 70  
 70

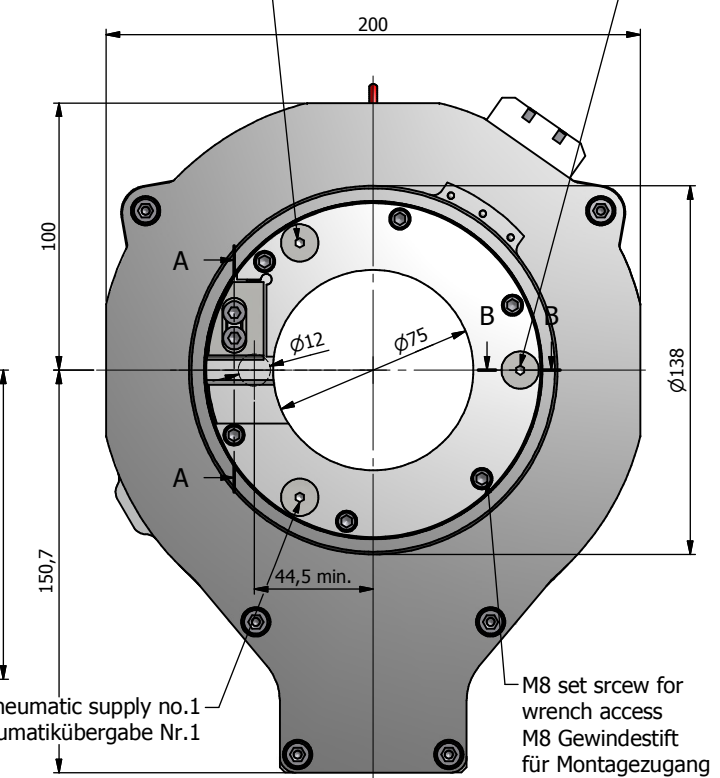
Flange for Servomotor YASKAWA SGMEV-03DDA61  
 Flansch für Servomotor YASKAWA SGMEV-03DDA61

reference (zero) signal sensor  
 Referenzsignalsensor

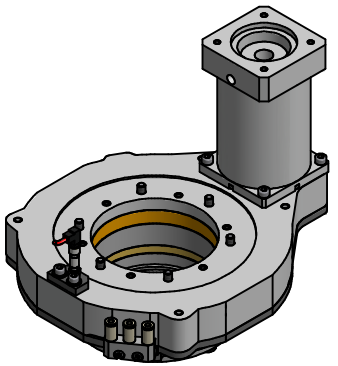


Ø125  
 Ø95  
 Ø75  
 115,7 ±0,1  
 27,7  
 37  
 40

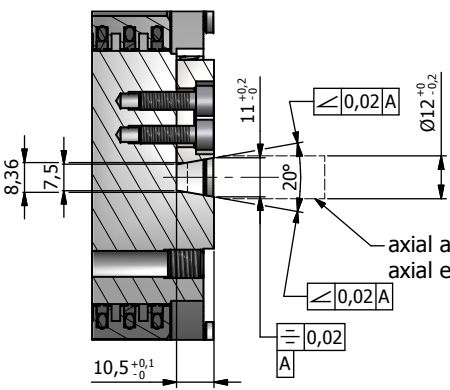
pneumatic supply no.2  
 Pneumatikübergabe Nr.2  
 pneumatic supply no.3  
 Pneumatikübergabe Nr.3



200  
 100  
 150,7  
 Ø138  
 44,5 min.  
 M8 set screw for wrench access  
 M8 Gewindestift für Montagezugang

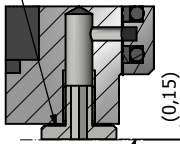


A-A (1 : 1,5) adjust the pneumatic supply dishes using shim rings  
 Einstellen der Pneumatikübergabe mit Passscheiben



8,36  
 7,5  
 11<sup>+0,2</sup><sub>-0</sub>  
 20°  
 Ø12<sup>+0,2</sup><sub>-0</sub>  
 axial adjustable reference pin  
 axial einstellbarer Referenzstift  
 ≤0,02 A  
 = 0,02  
 A


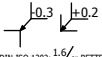
B-B (1 : 1)



plane surface of HSK  
 Plananlage des HSK

(0,15)

Total reduction ratio / Untersetzungsverhältnis 1:100  
 Weight / Gewicht 12,2 kg  
 Nominal input torque / Eingangsnenn Drehmoment 0.90 Nm  
 max. input torque / max. Eingangsdrehmoment 2.70 Nm  
 nominal input speed / Eingangsnenn Drehzahl 3700 rpm  
 max. input speed / max. Eingangsdrehzahl 6000 rpm  
 Backlash / Umkehrspiel 0.07°

ACCORDING TO DIN ISO 13715:		ALL DIMENSIONS ARE IN MILLIMETERS			
		TOLERANCES: DIN ISO 2768-1 K 0.5 - 6 ± 0.05 6 - 30 ± 0.1 30 - 120 ± 0.15 120 - 400 ± 0.2 > 400 ± 0.5		The content of this drawing is proprietary data and may be used solely for its intended business purpose. This drawing may not be reproduced, copied, or transferred without the expressed written consent of Precision Drive Systems, LLC. © Precision Drive Systems LLC 2014	
DIN ISO 1302: L5 or BETTER FIRST ANGLE PROJECTION		NAME: ABE DATE: 19.Mai.2014 CHECKED BY:		DESCRIPTION: <b>CAX-095-100-YAS</b> DWG. NO: <b>883-CAX-100</b> MASS: 12,2 kg MATERIAL:  SCALE: 1 : 2 SIZE: A3 SHT: 1 / 1 REV. 0	